


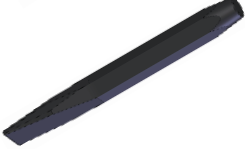




UNITED FIREFLO

Model F-06 Tools and Kits

Tools and Kits may be used on the United F-06, Mueller® Super Centurion™ and the U.S. Pipe Metroflow™/M-03 hydrants.

United Water Products carries a wide variety of tools and accessories to maintain and operate your United Fireflo F-06 Fire Hydrant.

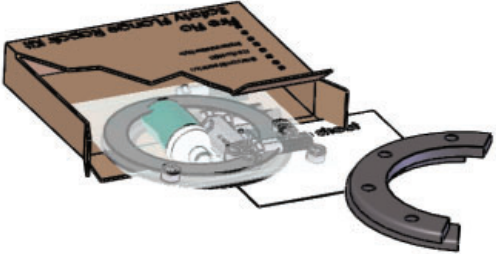
TOOLS

UNITED PART NO.	MUELLER PART NO.	DESCRIPTION	
F-06-311	A-311	Operating Wrench	
F-06-317	A-317	Nozzle Lock Tool	
F-06-359	A-359	Seat Removal Wrench	
F-06-367	A-367	Brass Sleeve	
F-06-316	A-316	2-1/2" Nozzle Wrench	
F-06-316	A-316	4-1/2" Nozzle Wrench	

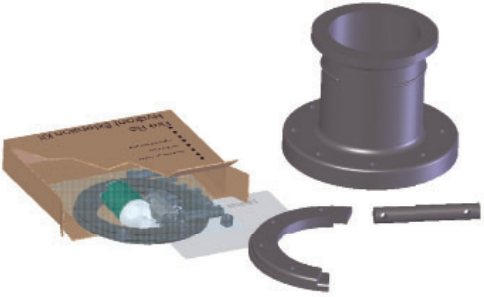


WARNING: This product can expose you to chemicals including lead, which is known to the State of California to cause cancer and birth defects or other reproductive harm. For more information go to www.P65Warnings.ca.gov.


SAFETY FLANGE REPAIR KIT

UNITED PART NO.	MUELLER PART NO.	DESCRIPTION	
F-06-301	A-301	5-1/4" Hydrant - Safety Flange Repair Kit	
Consists of Part No's. F-06-25, F-06-26, F-06-27, F-06-28, F-06-29 & F-06-30			

5-1/4" HYDRANT EXTENSION KITS

UNITED PART NO.	MUELLER PART NO.	DESCRIPTION	
F-06-320-006	A-320-006	6" Long "Extension Kit	
F-06-320-010	A-320-010	12" Long "Extension Kit	
F-06-320-016	A-320-016	18" Long "Extension Kit	
F-06-320-020	A-320-020	24" Long "Extension Kit	
F-06-320-026	A-320-026	30" Long "Extension Kit	
F-06-320-030	A-320-030	36" Long "Extension Kit	
F-06-320-036	A-320-036	42" Long "Extension Kit	
F-06-320-040	A-320-040	48" Long "Extension Kit	
Consists of Part No's. F-06-29, F-06-30, F-06-52, F-06-54, F-06-55, F-06-57 & F-06-53			

BONNET REPAIR KIT

UNITED PART NO.	MUELLER PART NO.	DESCRIPTION	
F-06-280-355	280355	5-1/4" Hydrant Bonnet Repair Kit	
Consists of Part No's. F-06-3, F-06-5, F-06-6, F-06-10, F-06-12, F-06-51 & Weather Seal			

SHOE REPAIR KIT

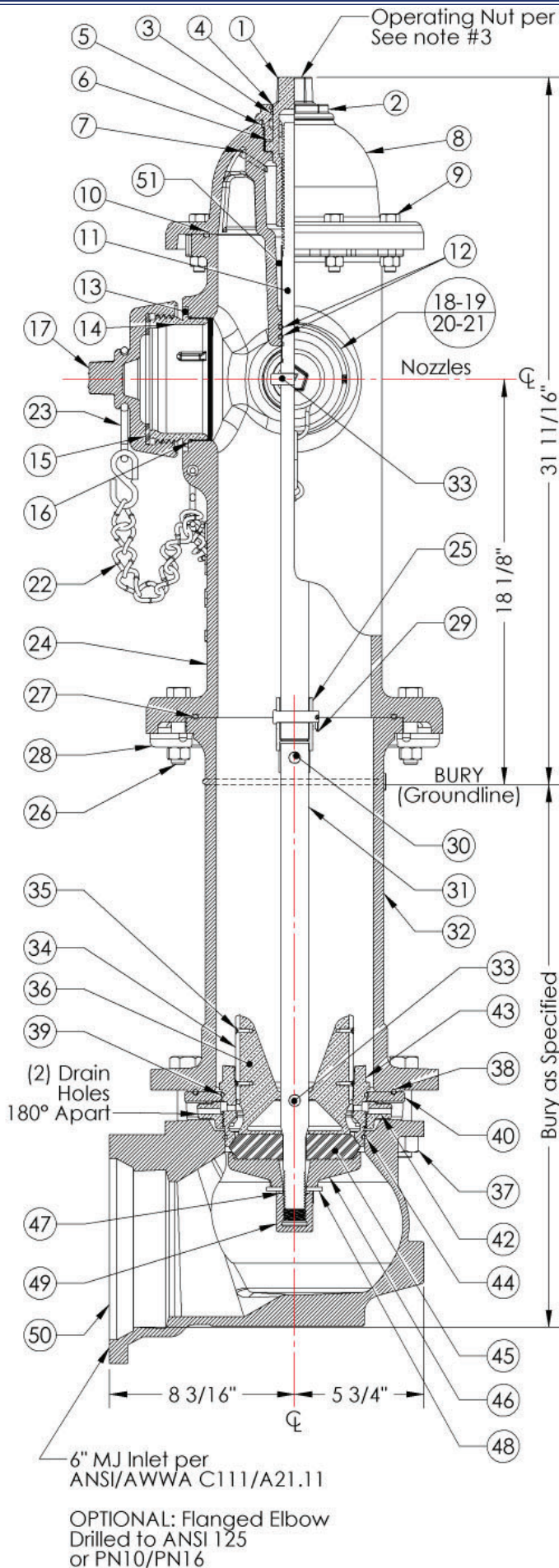
UNITED PART NO.	MUELLER PART NO.	DESCRIPTION	
F-06-280-357	280357 (1996 or earlier)	5-1/4" Hydrant Shoe Repair Kit	

Consists of Part No's. F-06-34, F-08-35, F-06-37, F-06-38, F-06-39, F-06-44, F-06-45, F-06-46, F-06-47, F-06-48 and F-06-51

MAIN VALVE REPAIR KIT

UNITED PART NO.	MUELLER PART NO.	DESCRIPTION	
F-06-280-359	280359 (1996 or earlier)	5-1/4" Hydrant Main Valve Repair Kit	

Consists of Part No's. F-06-39, F-08-43, F-06-44, F-06-45, F-06-46 and F-06-47

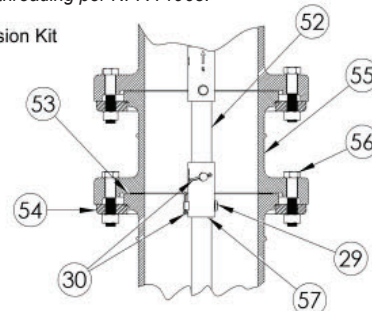


Item No.	Description	Material	Specification	Qty. Req'd
1	Operating Nut	Bronze	ASTM B584	1
2	Hold Down Nut	Bronze	ASTM B584	1
3	Hold Down Nut O-Ring	Rubber	ASTM D2000, BUNA N	1
4	Weather Seal	Rubber	ASTM D2000, BUNA N	1
5	Bonnet O-Ring	Rubber	ASTM D2000, BUNA N	1
6	Anti-Friction Washer	Celcon	-	1
7	Oil Plug	Bronze	ASTM B16	1
8	Bonnet	Cast Iron	ASTM A126, CL-B	1
9	Bonnet Bolts & Nuts	Steel	ZPS, A307	8
10	Bonnet O-Ring	Rubber	ASTM D2000, BUNA N	1
11	Upper Rod	Steel	ASTM A576, Gr-B	1
12	Upper Rod O-Ring	Rubber	ASTM D2000, BUNA N	2
13	Nozzle Lock Key	Stn. Stl.	ASTM A276	6
14	Pumper Nozzle	Bronze	ASTM B584	1
15	Pumper Nozzle Gasket	Rubber	ASTM D2000, BUNA N	1
16	Pumper Nozzle O-Ring	Rubber	ASTM D2000, BUNA N	1
17	Pumper Nozzle Cap	Cast Iron	ASTM A126, CL-B	1
18	Hose Nozzle	Bronze	ASTM B584	2
19	Hose Nozzle Gasket	Rubber	ASTM D2000, BUNA N	2
20	Hose Nozzle O-Ring	Rubber	ASTM D2000, BUNA N	2
21	Hose Nozzle Cap	Cast Iron	ASTM A126, CL-B	2
22	Cap Chain	Steel	Plated	3
23	Chain Ring	Steel	Plated	3
24	Standpipe Upper	Ductile Iron	ASTM A536	1
25	Safety Coupling	Stn. Stl.	ASTM A890	1
26	Safety Flange Bolts & Nuts	Steel	ZPS, A307	8
27	Safety Flange O-Ring	Rubber	ASTM D2000, BUNA N	1
28	Safety Flange	Cast Iron	ASTM A126, CL-B	2
29	Cotter Pin	Stn. Stl.	ASTM A276	2
30	Clevis Pin	Stn. Stl.	ASTM A276	2
31	Lower Rod	Steel	ASTM A576 Gr-B	1
32	Standpipe Lower (Specify Bury)	Ductile Iron	ASTM A536	1
33	Stem Pin	Stn. Stl.	ASTM A276	2
34	Drain Valve Facing	HDPE	-	2
35	Drain Valve Screw	Stn. Stl.	ASTM A276	4
36	Valve Top Plate	Bronze	ASTM B584	1
37	Elbow & D.R.H. Bolts & Nuts	Stn. Stl.	SS304	6
38	Drain Ring Housing O-Ring	Rubber	ASTM D2000, BUNA N	1
39	Seat Ring O-Ring (Top)	Rubber	ASTM D2000, BUNA N	1
40	Drain Ring Housing	Ductile Iron	ASTM A536	1
42	Drain Ring	Bronze	ASTM B584	1
43	Seat Ring	Bronze	ASTM B584	1
44	Seat Ring O-Ring (Bottom)	Rubber	ASTM D2000, BUNA N	1
45	Main Valve	Rubber	ASTM D2000, BUNA N	1
46	Valve Bottom Plate	Ductile Iron	ASTM A536	1
47	Cap Nut Seal	Rubber	ASTM D2000, BUNA N	1
48	Lock Washer	Stn. Stl.	ASTM A276	1
49	Valve Bottom Plate Nut	Ductile Iron	ASTM A536	1
50	Elbow	Ductile Iron	ASTM A536	1
51	Lubricant (in Chamber)	Mineral Oil	Food Grade	1

Notes:

- Part #'s 40, 46, 49 & 50 are Fusion Bonded Epoxy, inside and out, complying with AWWA C550.
- Pentagon measures 1-1/2" from point to flat at the base of the nut and 1-7/16" at the top; the height of the nut is to be 1" minimum.
- Pumper Outlet - Qty: 1 - Nominal size 4-1/2" with 4.5-4 NH threading per NFPA 1963.
- Hose Outlets - Qty: 2 pcs - Nominal size 2-1/2" with 2.5-7.5 NH threading per NFPA 1963.

Extension Kit



Components of the Extension Kit			
Clevis Pin	#29	Extension Flange Coupling	#54
Cotter Pin	#30	Extension Standpipe	#55
Extension Rod	#52	Extension Bolts and Nuts	#56
Extension Gasket	#53	Extension Rod Coupling	#57